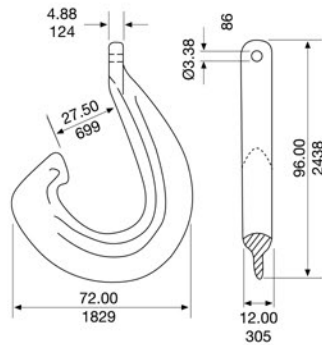


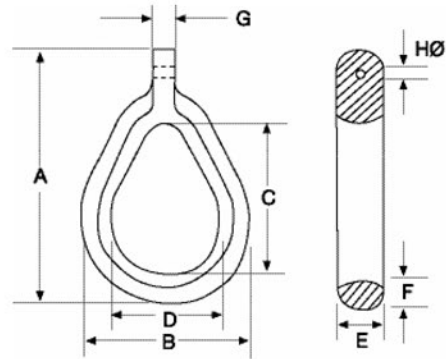
# CHASERS



Chain Chasers were developed to overcome the problems of recovering rig anchors when anchor pendant lines failed in service. Below are some of the different types available. Lifting eye dimensions for the Permanent Chain Chaser and Wire Chaser are standard for each type, however specials can be made to suit customer requirements.



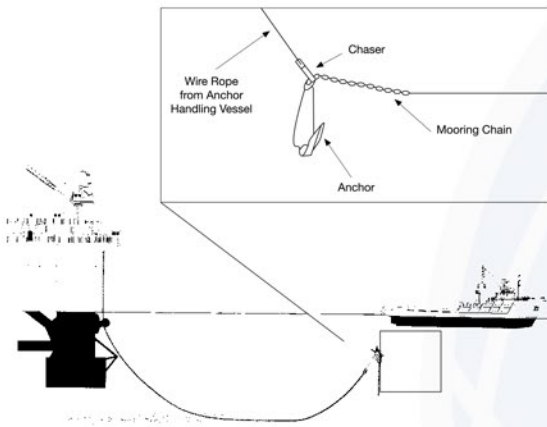
'J' Chain Chaser



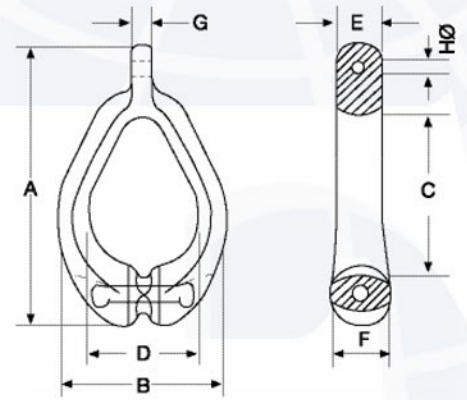
Permanent Chain Chaser

Weight (kg)	SWL (t)	Proof Load (t)	Dimensions (mm)							
			A	B	C	D	E	F	G	H
1088	100	250	1657	1143	991	762	305	191	124	86
1451	130	250	1702	1168	991	762	381	203	130	99
1433	130	250	1867	1245	1130	838	330	203	130	99
2390	250	400	2040	1361	1130	838	406	--	191	144

All dimensions are approximate



Wire Chaser



Weight (kg)	SWL (t)	Proof Load (t)	Dimensions (mm)							
			A	B	C	D	E	F	G	H
1959	130	250	2073	1245	1203	838	432	330	130	99
1846	130	250	1962	1099	1086	692	445	330	130	99
2530	130	250	2318	1308	1397	902	508	330	130	99
2495	250	400	2051	1168	1060	711	445	356	178	127
3560	250	400	2540	1422	1397	902	391	610	191	144

All dimensions are approximate

