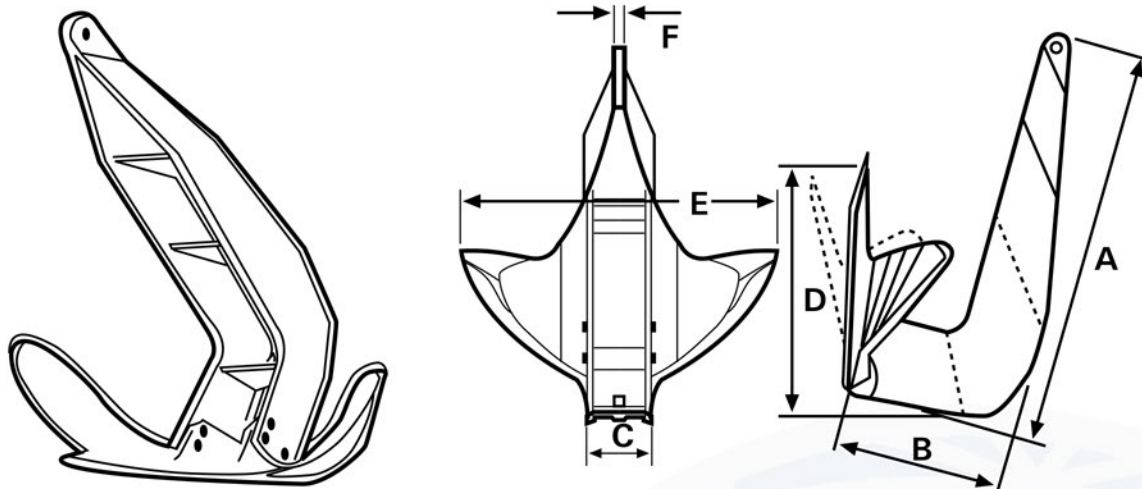


# BRUCE TWIN SHANK



The Bruce Anchor is popular because it sets quickly and stays in the seabed.

Its unique design always engages the bottom and digs in within two shank lengths so that it stays buried with the change of wind direction and tide.



Anchor Weight (kg)	A (mm)	B (mm)	C (mm)	D (mm)	E (mm)	F (mm)	Anchor Shackles SWL (tonnes)	Pendant Shackles SWL (tonnes)
250	1693	704	272	967	1352	47	12	3 1/4
500	2076	863	335	1187	1658	57	17	4 3/4
750	2322	965	375	1327	1854	57	17	6 1/2
1000	2511	1044	416	1435	2005	67	25	8 1/2
1500	2893	1203	481	1653	2310	75	35	12
2000	3232	1344	529	1846	2580	75	35	13 1/2
2500	3446	1433	569	1969	2752	97	55	17
3000	3731	1551	609	2132	2978	97	55	17
4000	4070	1692	668	2326	3249	97	55	25
5000	4324	1798	714	2471	3453	117	85	50
7000	4900	2038	805	2799	3911	132	100	85
9000	5269	2191	868	3010	4206	157	130	85
12000	5885	2447	964	3362	4697	157	150	85

