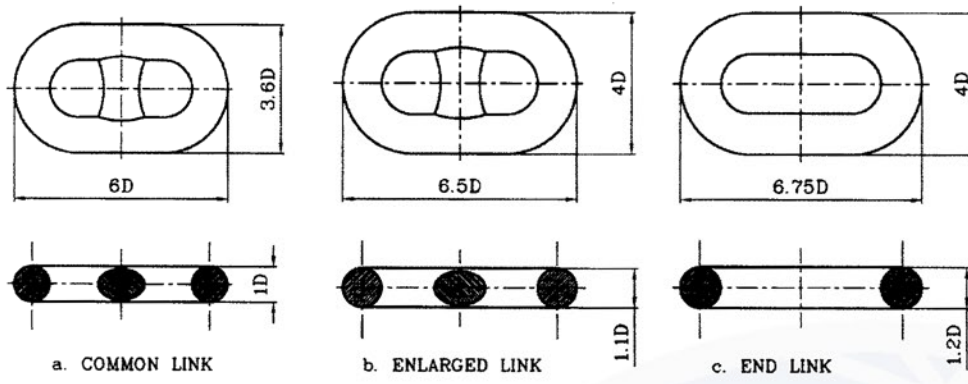
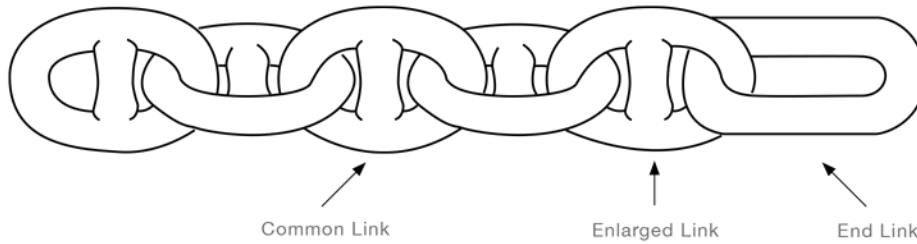


1 Shot of Anchor Chain = 27.5 metres



Communicate as much background information as possible when ordering or enquiring about Anchor Chain.

### Necessary Points When Ordering:

- The application the chain will be used for e.g: mooring, anchor only, extra weight etc.
- Diameter: millimetres, inches etc.
- Length: metres, feet, yards, fathoms etc.
- Construction: studless or studlink
- Grade: U1, U2, U3, ORQ, ORQ+20% or K4
- Finish: Black Bitumous, Galvanised etc.
- Minimum Breaking Load
- Which type of certification is required: Manufacturers, Lloyds, ABS, DNV etc.

